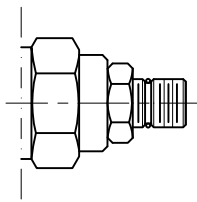
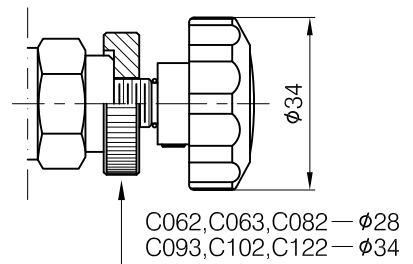


調整方式選配 Adjustment Control Options.

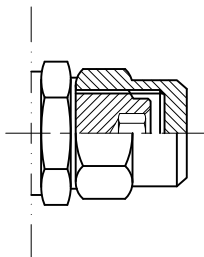
L 標準型螺桿調整.
Standard Screw Adjustment



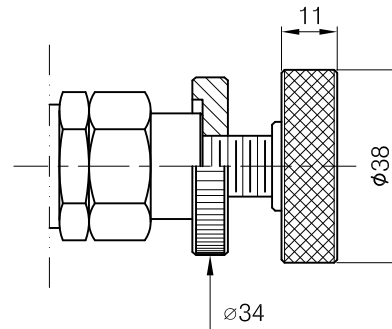
K 旋鈕調整.
Handknob & Locknob Adj.



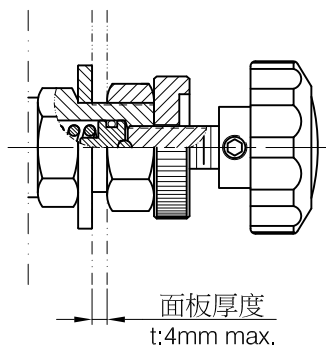
J 帽封內藏調整.
Capped Screw Adjustment



KW 大型旋鈕調整.
W-Type Handknob & Locknob Adj.



PK 面板固定型, 旋鈕調整.
Handknob with panel mount



KL 長型旋鈕調整.
L-Type Handknob & Locknob Adj.

