

## 洩壓閥 Relief Valves - Vented.

- 閥系說明：透氣型, 導壓操作。  
Description : Vented type, Pilot operated.
- 額定流量 Flow rating Q nom. : 100 L/min
- 最高壓力 Max. pressure P max. : 315 bar.
- 插式閥重 Cartridge only weight : K - 0.29 kg.  
L - 0.25 kg.

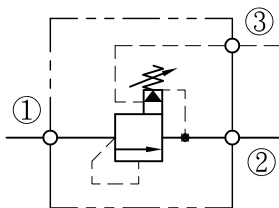
### 選購型號 Ordering Code

**CVR - 093 - L10N**

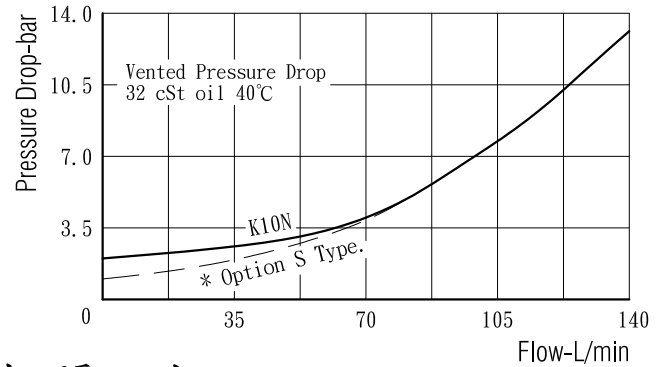
①            ②            ③    ④    ⑤

- ① 洩壓閥 - 透氣型  
Relief Valves - Vented.
- ② 閥孔型號  
Cavity Size.
- ③ 調整方式 Controls.  
L - 螺桿調整. Standard Screw Adjustment  
K - 旋鈕調整. Handknob & Locknob Adj.
- ④ 調壓範圍  
Adjustment Ranges.  
10 - 5 to 100 bar. (\*30bar)  
20 - 7 to 210 bar. (\*70bar)  
30 - 10 to 315 bar. (\*70bar)  
1S - 3.5 to 100 bar. (Option, \*30bar)  
2S - 5 to 210 bar. (Option, \*70bar)  
(\* )出廠設定壓力. Standard Setting.
- ⑤ 油封材質  
Seals : N - 丁腈橡膠. Buna N.  
V - 氟橡膠. Viton.

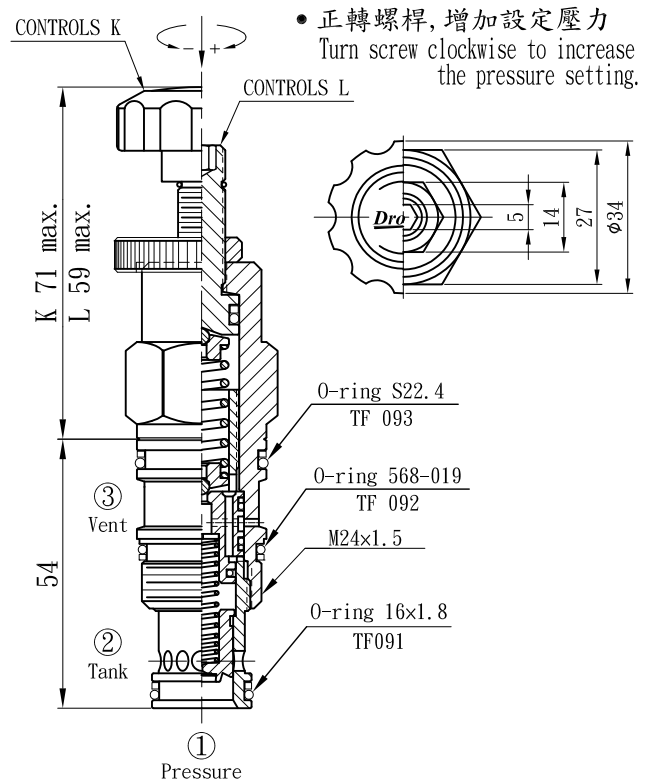
### 油壓符號 Symbol



### 壓損曲線 Flow-Pres. Drop Curve



### 插閥尺寸 Dimensions(mm)



閥孔型號 Valve Cavity : C093  
 成型刀具 Cavity Tools : CT39-D, CT39-R  
 ※請參閱 See page CT. J