

洩壓閥 Relief Valves - Vented.

- 閥系說明：透氣型, 導壓操作。
Description : Vented type, Pilot operated.
- 額定流量 Flow rating Q nom. : 100 L/min
- 最高壓力 Max. pressure P max. : 315 bar.
- 插式閥重 Cartridge only weight : K - 0.29 kg.
L - 0.25 kg.

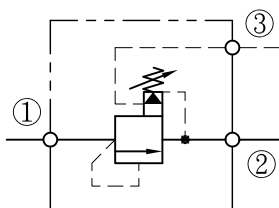
選購型號 Ordering Code

CVR - T02 - L10N

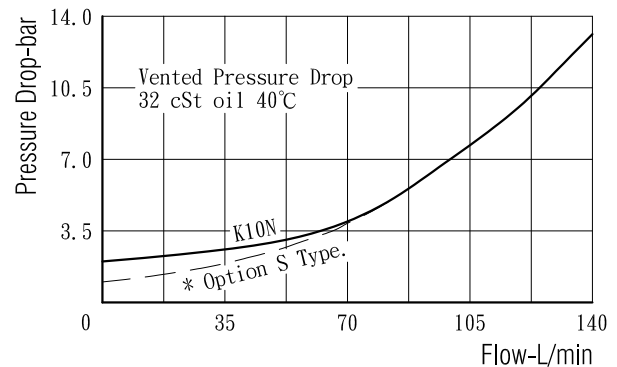
① ② ③ ④ ⑤

- ① 洩壓閥 - 透氣型
Relief Valves - Vented.
- ② 閥孔型號
Cavity Size.
- ③ 調整方式 Controls.
L - 螺桿調整. Standard Screw Adjustment
K - 旋鈕調整. Handknob & Locknob Adj.
- ④ 調壓範圍
Adjustment Ranges.
10 - 5 to 100 bar. (*30bar)
20 - 7 to 210 bar. (*70bar)
30 - 10 to 315 bar. (*70bar)
1S - 4 to 100 bar. (Option, *30bar)
2S - 5 to 210 bar. (Option, *70bar)
(*) 出廠設定壓力. Standard Setting.
- ⑤ 油封材質
Seals : N - 丁腈橡膠. Buna N.
V - 氟橡膠. Viton.

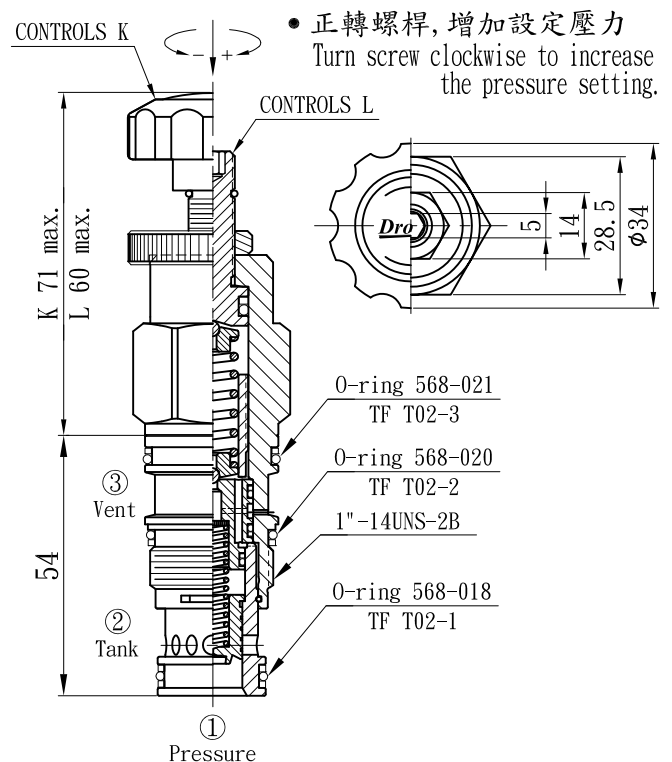
油壓符號 Symbol



壓損曲線 Flow-Pres. Drop Curve



插閥尺寸 Dimensions(mm)



閥孔型號 Valve Cavity : T02
成型刀具 Cavity Tools : CT02-D, CT02-R
※請參閱 See page CT. L