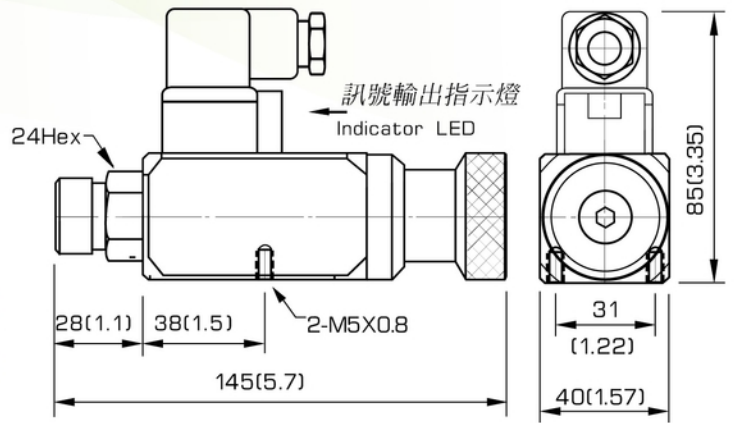


# DNA 油電壓力開關 Pressure Switch



尺寸圖 / Dimension mm(inches)



## 選購型號 / How to order

### DNA-250K-22B

- ①
- ②
- ③

#### 1 型式 / Model

壓力直讀式 · 標準型  
Direct Read-out, Standard type

#### 2 壓力範圍 / Pressure Adj. Range

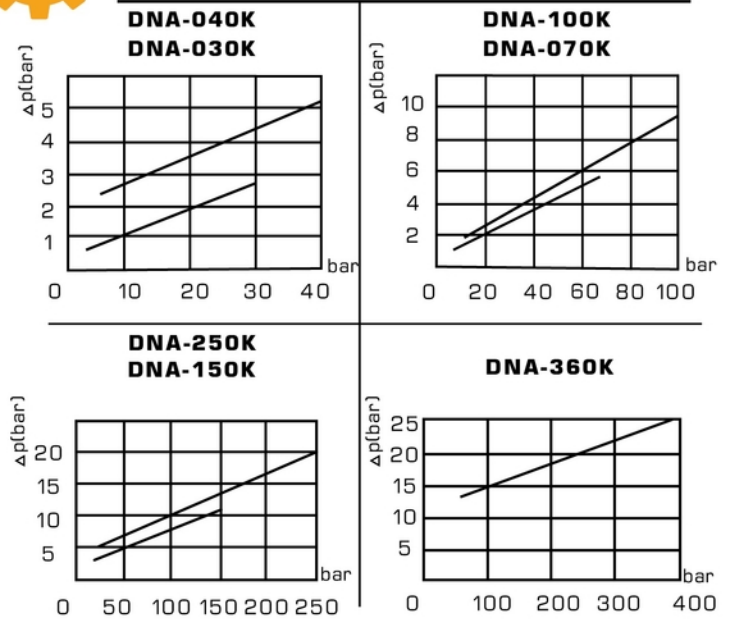
型式 Model	壓力調整範圍 bar Pressure Adj. Range bar	最高耐壓 bar Max. Pressure bar	測定壓力 bar Set Pres. bar	重量 kg Weight
030K	4 ~ 30	80	14	1.1
040K	8 ~ 40	150	20	1.1
070K	10 ~ 70	150	30	1.1
100K	15 ~ 100	250	50	1.1
150K	20 ~ 150	250	70	1.1
250K	40 ~ 250	400	100	1.1
360K	50 ~ 360	400	200	1.1

#### 3 22B:無指示燈 Without indicator LED

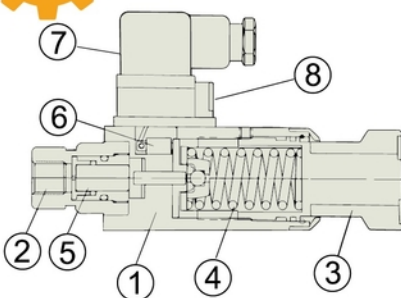
06i:附指示燈 With indicator LED



## 性能圖 / Performance Curves

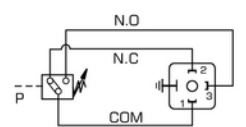


## 剖面圖 / Schematic Cross-Section



1 本體(鑄鐵) Housing (Casting-Iron)	5 柱塞 Piston
2 接管孔口(1/4"PT/NPT/PF) Connection Port (1/4"PT/NPT/PF)	6 微動開關 Micro switch
3 壓力調整鈕 Pressure Adj. Knob	7 電氣接頭 Electrical connector
4 彈簧 Spring	8 訊號輸出指示燈 Indicator LED

油電符號表 / Graphic Symbol



N.O.=Normally open  
N.C.=Normally close

Rating:  
22B:3A 250VAC, 0.5A 30VDC  
06i:24VDC, 250VAC < 0.6A