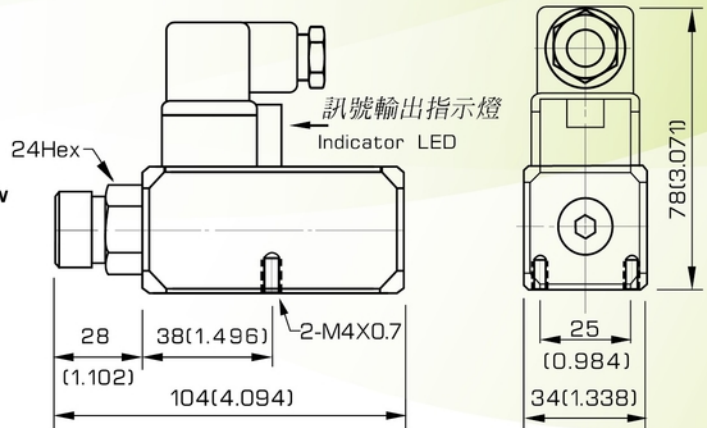


DNB 油電壓力開關 Pressure Switch



尺寸圖 / Dimension mm(inches)



選購型號 / How to order

DNB-250K-22B

①

②

③

① 型式 / Model

一般型 General type

② 壓力範圍 / Pressure Adj. Range

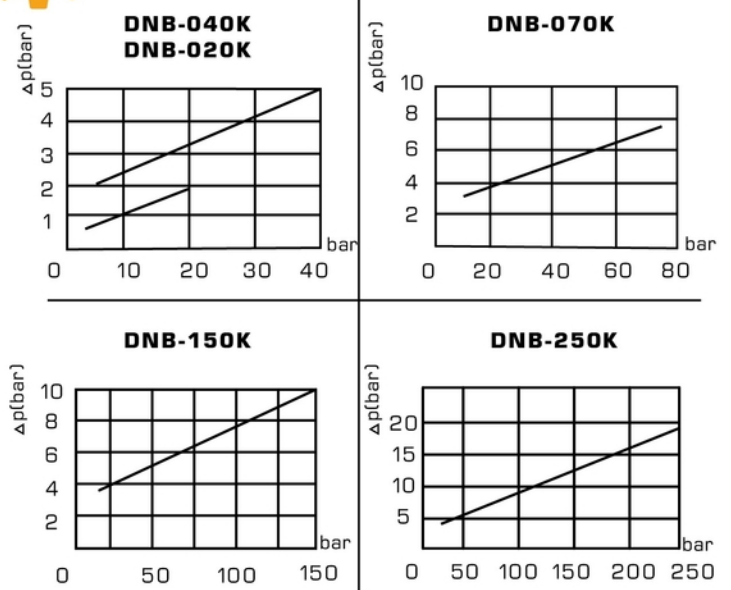
型式 Model	壓力調整範圍 bar Pressure Adj. Range bar	最高耐壓 bar Max. Pressure bar	測定壓力 bar Set Pres. bar	重量 kg Weight
020K	2~20	80	10	0.6
040K	8~40	150	20	0.6
070K	10~70	150	30	0.6
150K	20~150	250	70	0.6
250K	40~250	250	100	0.6

③ 22B:無指示燈 Without indicator LED

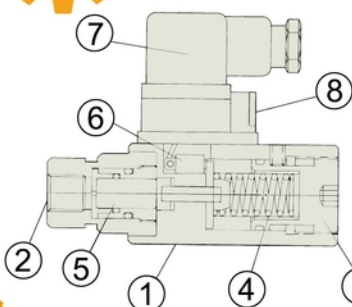
06i:附指示燈 With indicator LED



性能圖 / Performance Curves

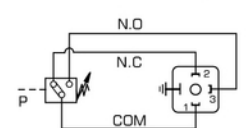


剖面圖 / Schematic Cross-Section



1 本體(鑄鐵) Housing (Casting-Iron)	5 柱塞 Piston
2 接管孔口(1/4"PT/NPT/PF) Connection Port (1/4"PT/NPT/PF)	6 微動開關 Micro switch
3 壓力調整鈕 Pressure Adj. Knob	7 電氣接頭 Electrical connector
4 彈簧 Spring	8 訊號輸出指示燈 Indicator LED

油電符號表 / Graphic Symbol



N.O.=Normally open
N.C.=Normally close

Rating:
22B:3A 250VAC, 0.5A 30VDC
06i:24VDC, 250VAC<0.6A

