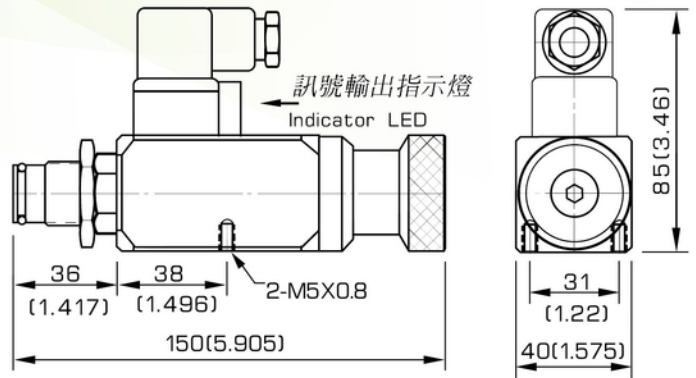


DNC 油電壓力開關 Pressure Switch

尺寸圖 / Dimension mm(inches)



選購型號 / How to order

DNC-250K-22B

①

②

③

1 型式 / Model

壓力直讀式·插式型
Direct Read-out, Screw-in type

2 壓力範圍 / Pressure Adj. Range

型式 Model	壓力調整範圍 bar Pressure Adj. Range bar	最高耐壓 bar Max. Pressure bar	測定壓力 bar Set Pres. bar	重量 kg Weight
040K	8~40	80	20	1.1
070K	10~70	150	30	1.1
100K	15~100	150	50	1.1
150K	20~150	250	70	1.1
250K	40~250	400	100	1.1
360K	50~360	400	200	1.1

3 22B: 無指示燈 Without indicator LED

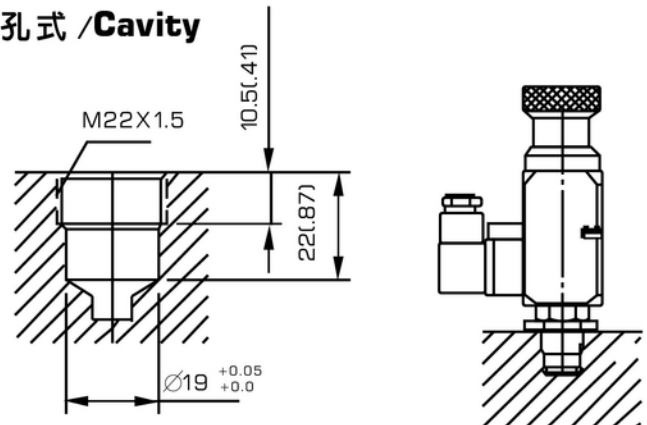
06i: 附指示燈 With indicator LED



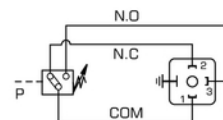
性能圖 / Performance Curves

請參閱 DNA 表列
See Table DNA Series.

插孔式 / Cavity



油電符號表 / Graphic Symbol



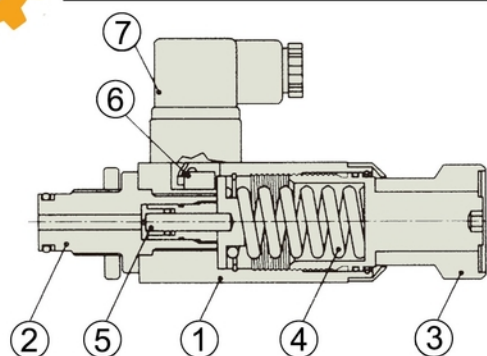
N.O.=Normally open
N.C.=Normally close

Rating:

22B: 3A 250VAC, 0.5A 30VDC
06i: 24VDC, 250VAC < 0.6A



剖面圖 / Schematic Cross-Section



1 本體(鑄鐵) Housing (Casting-Iron)	5 伺服柱塞 Servo-Piston
2 接管孔口(1/4"PT) Connection Port (1/4"PT)	6 微動開關 Micro switch
3 壓力調整鈕 Pressure Adj. Knob	7 電氣接頭 Electrical Connector
4 彈簧 Spring	