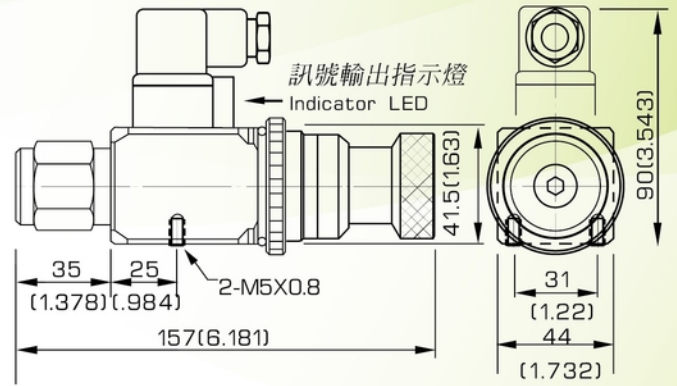


DNF 油電壓力開關 Pressure Switch



尺寸圖 / Dimension mm(inches)



選購型號 / How to order

DNF-250K-22B

①

②

③

1 型式 / Model

壓力直讀式·面板固定型
Direct read-out, Panel mounting type

2 壓力範圍 / Pressure Adj. Range

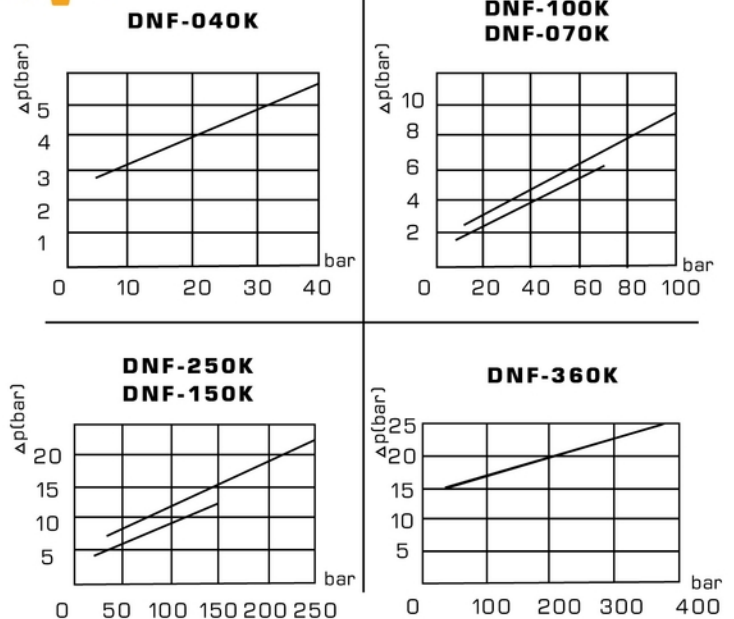
型式 Model	壓力調整範圍 Pressure Adj. Range bar	最高耐壓 Max. Pressure bar	測定壓力 Set Pres. bar	重量 Weight kg
040K	6 ~ 40	150	20	1.2
070K	10 ~ 70	150	30	1.2
100K	15 ~ 100	250	50	1.2
150K	20 ~ 150	200	70	1.2
250K	40 ~ 250	400	100	1.2
360K	50 ~ 360	400	200	1.2

3 22B: 無指示燈 Without indicator LED

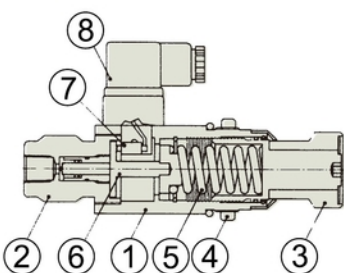
06i: 附指示燈 With indicator LED



性能圖 / Performance Curves

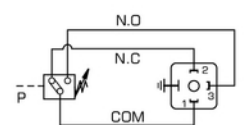


剖面圖 / Schematic Cross-Section



1 本體(鑄鐵) Housing (Casting-Iron)	5 彈簧 Spring
2 接管孔口(1/4" PT) Connection Port (1/4" PT)	6 伺服柱塞 Servo-Piston
3 壓力調整鈕 Pressure Adj. Knob	7 微動開關 Micro switch
4 面板固定螺帽 Knob Set Screw	8 電氣接頭 Electrical Connector

油電符號表 / Graphic Symbol



N.O.=Normally open
N.C.=Normally close

Rating:
22B: 3A 250VAC, 0.5A 30VDC
06i: 24VDC, 250VAC < 0.6A