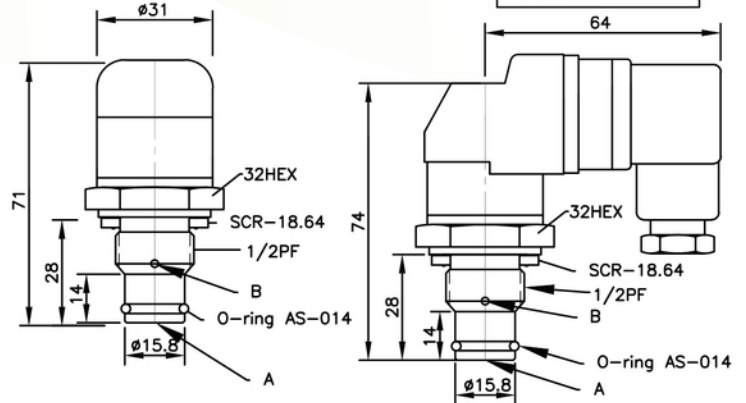


# TW

## 壓差顯示器

### Differential Pressure Indicator

尺寸圖 / Dimension mm(inches)

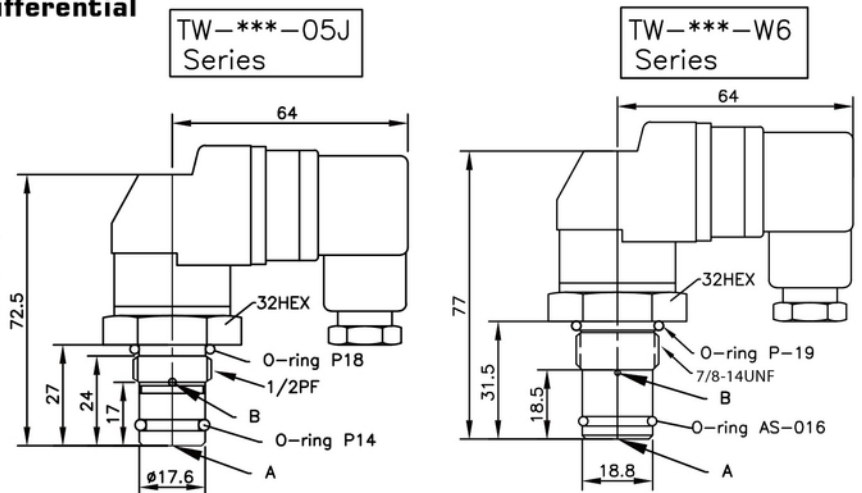
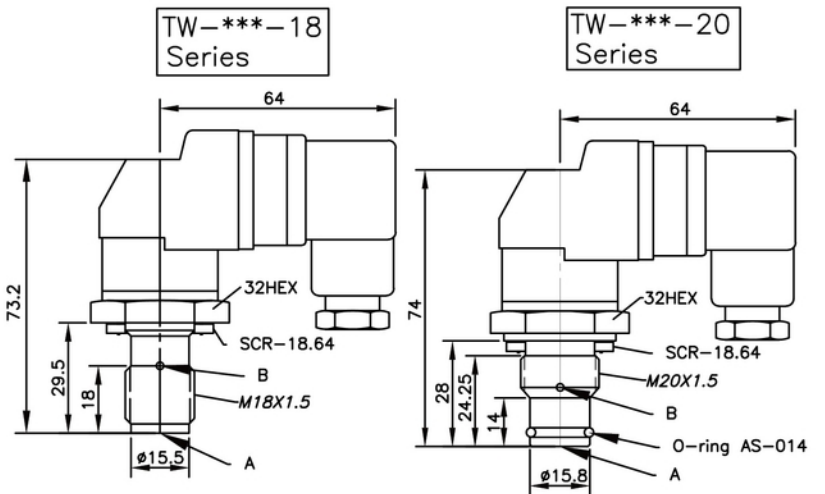


#### 選購型號 / How to order

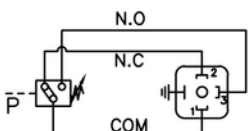
## TW-V5A-05



- 1 型式 / Model
- 2 V=紅綠兩色壓差顯示 Visual indicator  
S=紅綠兩色+訊號輸出壓差顯示  
Visual-Electrical indicator
- 3 動作壓力 / React to the pressure differential  
1.5=1.5 bar (22psi)  
3=3 bar (43.5psi)  
5=5 bar (72.5psi)  
7=7 bar (101.5psi)  
10=10 bar (145psi)
- 4 感壓孔口 A / Reaction to the A port  
感壓孔口 B / Reaction to the B port
- 5 05=1/2 PF  
18=M18X1.5  
20=M20X1.5  
W6=7/8-14UNF



油電符號表/Graphic Symbol



Rating:  
3A 250VAC, 0.5A 30VDC  
N.O.=Normally open  
N.C.=Normally close