

TWOWAY® HYDRAULIC

滿油閥

Pre-Fill Valves Flange-clamped Type

TWOWAY®

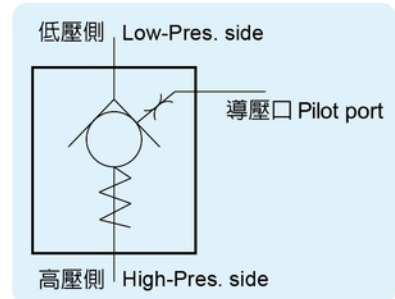
Pre-Fill Valves
Flange-clamped Type



www.taicoln.com

滿油閥

Pre-Fill Valves (flange-clamped type)



SVF



SCF



SPF



STF

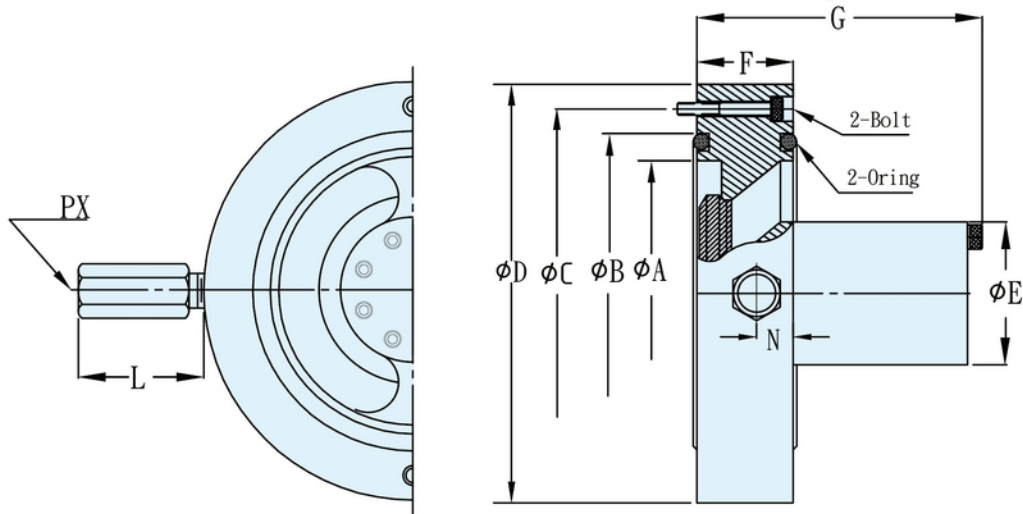
特性

- ◎ 體積小，易於拆裝
- ◎ 低壓損，流量大
- ◎ 構造簡單，耐久性佳
- ◎ 鋼質本體及組件，有10種模式供選用
- ◎ 球墨鑄鐵本體及鋼質組件，有6種模式供選用
- ◎ 可直接裝置於油缸蓋側

Special Features

- ◎ Small size and easy to install.
- ◎ Low pressure loss and high flow capacity.
- ◎ Simple structure and good durability.
- ◎ Steel body and steel components, 10 models for selection.
- ◎ Ductile cast iron body and steel components, six models for selection.
- ◎ Can be directly installed on the cylinder cap side.

☐ 滿油閥 Pre-Fill Valves (flange-clamped type)



選購型號 How to order

SVF-100-21C

①

②

③

- ① 型號 / Model SVF / SCF ② 規格 / Size (SVF-32)~(SVF-250) (SCF-32)~(SCF-125) ③ 設計之資料 Design Number

尺寸表 / Dimensions (unit: mm)

SVF: 合金鋼 SCM4

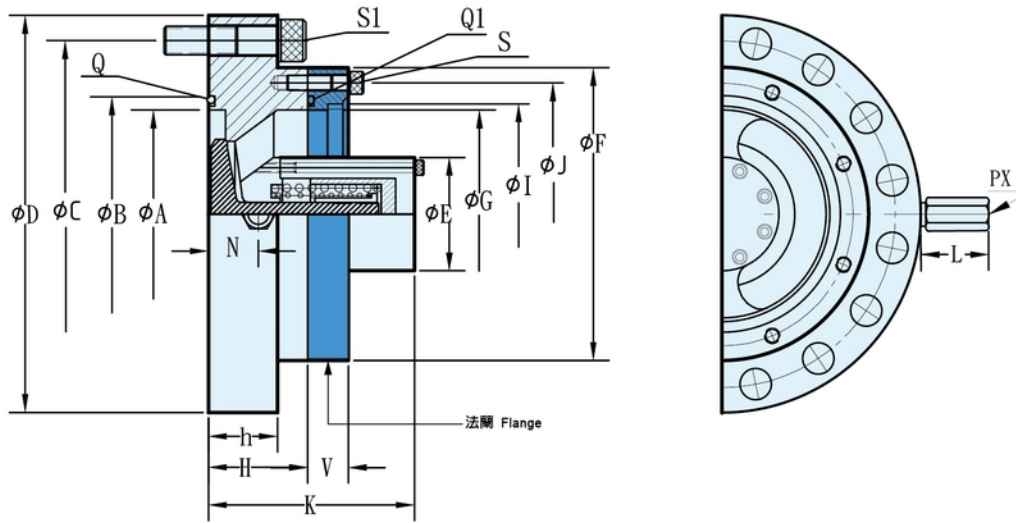
SCF: 球墨 FCD50

型式 Model	ØA	ØB	ØC	ØD	ØE	F	G	N	L	PX	固定螺絲 Bolts	O-Ring
SVF-32 / SCF-32	49	63	-	82	33	28	70	13	62	PT1/4"	-	AS-228
SVF-40	56.5	73.2	91	108	39	28	76.5	11.5	62	PT1/4"	M4x30	AS-231
SVF-50 / SCF-50	72	89.1	112	128	42	29	91	13	62	PT1/4"	M4x30	AS-236
SVF-63 / SCF-63	87	105.7	125	143	50	33.5	105	15	62	PT1/4"	M5x35	P95
SVF-80 / SCF-80	108	130.5	150	169	57	38.5	117	14.5	62	PT1/4"	M5x40	P120
SVF-100 / SCF-100	130	155	185	210	70	44	150	15	62	PT1/4"	M6x45	P145
SVF-125 / SCF-125	170	200	226	248	89	51	190	16	70	PT3/8"	M6x50	P185
SVF-160	220	250	284	310	120	70	225	20	70	PT3/8"	M8x70	P235
SVF-200	272	310	355	390	145	95	286	30	85	PT1/2"	M10x95	P295
SVF-250	350	398	445	490	177	110	372	40	85	PT1/2"	M12x115	P385

特性數據 / Specifications

型式 Model	口徑 Port	最大流量	使用壓力	導壓比 Pilot Ratio	閥重 Weight (kg)
SVF-32 / SCF-32	2B	160	400 / 250	3.6	1.3
SVF-40	2.5B	250	400	3.6	2.2
SVF-50 / SCF-50	3B	400	400 / 250	4.5	2.9
SVF-63 / SCF-63	3.5B	630	400 / 250	4.4	4.5
SVF-80 / SCF-80	4B	1000	400 / 250	4.6	6.8
SVF-100 / SCF-100	5B	1600	400 / 250	4.6	12.3
SVF-125 / SCF-125	8B	2500	400 / 250	4.5	20.5
SVF-160	10B	4000	400	4.3	45
SVF-200	12B	7000	280	4.3	85
SVF-250	16B	15000	280	4.5	156

法蘭式滿油閥 Pre-Fill Valves (flange-clamped type)



選購型號 How to order

STF-100-12C

①

②

③

- ① 型號 / Model ② 規格 / Size ③ 設計之資料 Design Number
 SPF / STF (SPF-32)~(SPF-250)
 (STF-32)~(STF-125)

尺寸表 / Dimensions (unit: mm)

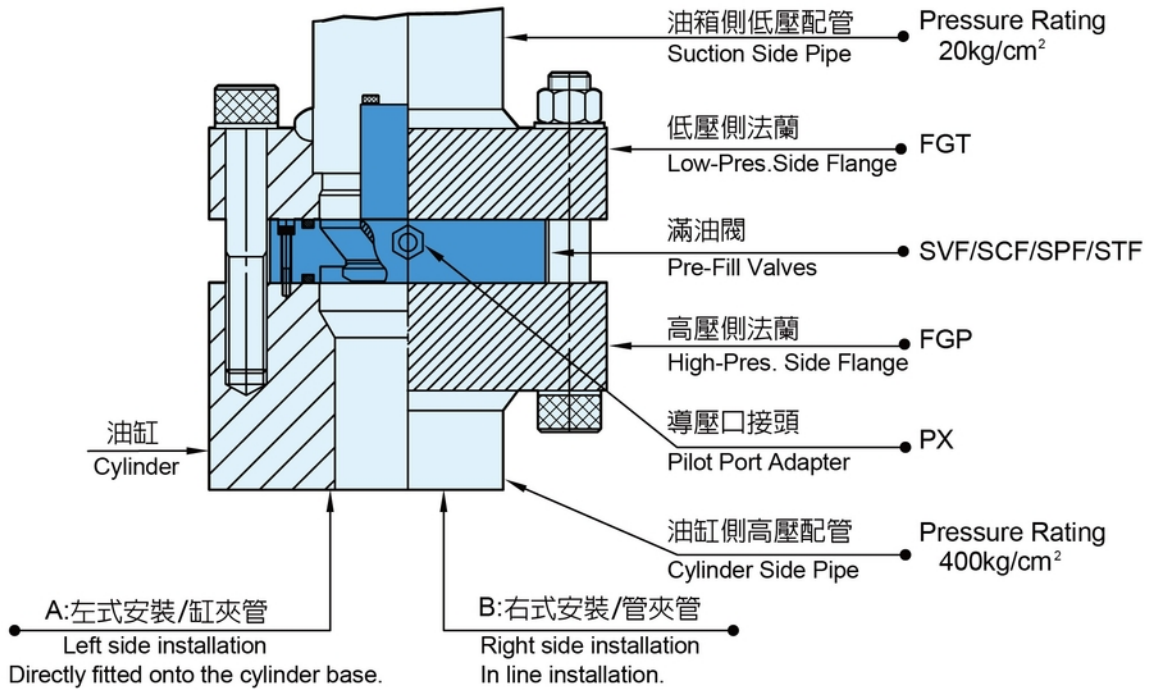
SPF: 合金鋼 SCM4 STF: 球墨鑄鐵 FCD50

型式 Model	對照型號	口徑 Port	ΦA	ΦB	ΦC	ΦD	ΦE	ΦF	ΦG	h	H	I	J	K	L	PX	N	V
SPF-32 / STF-32	PF-50	2B	48	63	103.2	130	33	111	51	24	47	61	92	65	62	PT 1/4"	15	20
SPF-50 / STF-50	PF-80	3B	72	89	146	180	42	142	71	33	65	90.2	120	86	62	PT 1/4"	22.5	23
SPF-63 / STF-63	PF-90	3.5B	87	105.7	165	200	50	160	88	41	70	101.6	135	101	62	PT 1/4"	27	23
SPF-80 / STF-80	PF-100	4B	106	130.5	191	230	57	170	106	40	74	115.5	148	112	62	PT 1/4"	31	23
SPF-100 / STF-100	PF-125	5B	130	155	230	270	70	200	130	50	85	141.2	175	150	62	PT 1/4"	36	23
SPF-125 / STF-125	PF-150	6B	170	200	260	298	89	223	160	58/65	82/105	167	200	185	70	PT 3/8"	43/45	23
SPF-160	PF-200	8B	220	250	367	422	120	310	218	73	105	220	278	224	70	PT 3/8"	56	43
SPF-200	PF-300	12B	280	310	442	496	145	394	280	88	120	324.5	366	286	85	PT 1/2"	70	48
SPF-250	PF-350	14B	340	375.4	515	570	177	462	340	105	140	356.5	429	376	85	PT 1/2"	81	52

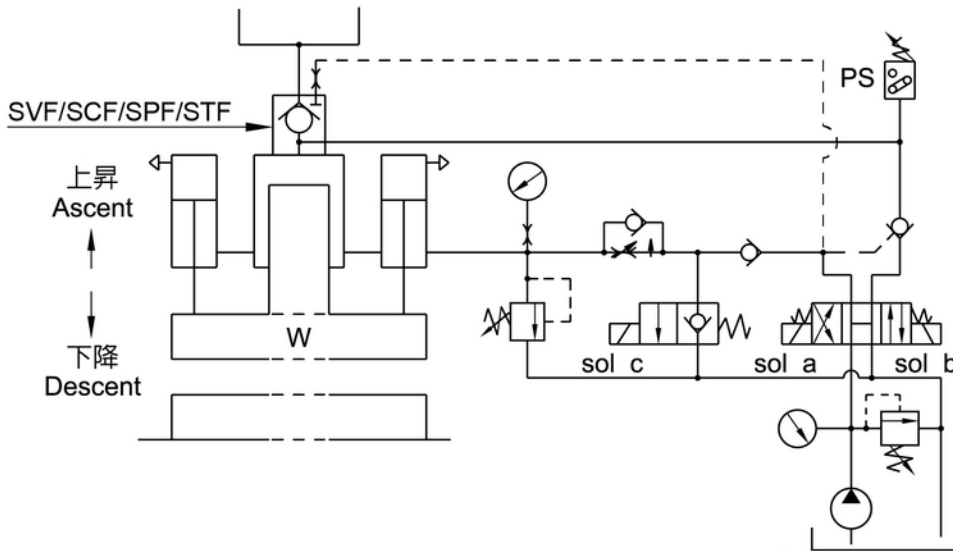
特性數據 / Specifications

型式 Model	對照型號	O型環 Q	O型環 Q1	法蘭螺絲 S	法蘭螺絲 S1	使用壓力	最大流量	閥重 Weight (kg)
SPF-32 / STF-32	PF-50	AS-228	AS-228	4-M10X35L	4-M16X45L	400 / 250	160	3.5
SPF-50 / STF-50	PF-80	AS-236	G80	6-M12X40L	6-M16X55L	400 / 250	400	9
SPF-63 / STF-63	PF-90	P95	G100	6-M12X40L	6-M18X65L	400 / 250	630	12
SPF-80 / STF-80	PF-100	P120	G115	6-M12X40L	6-M20X70L	400 / 250	1000	16
SPF-100 / STF-100	PF-125	P145	G140	6-M12X40L	12-M20X80L	400 / 250	1600	25
SPF-125 / STF-125	PF-150	P185	G170	8-M12X40L	16-M20X90L 16-M20X95L	400 / 250	2500	42
SPF-160	PF-200	P235	P235	8-M16X65L	16-M30X120L	400	4000	108
SPF-200	PF-300	P295	P295	10-M16X70L	20-M30X130L	280	7000	134
SPF-250	PF-350	P360	P360	10-M16X75L	20-M30X150L	280	15000	270

滿油閥 安裝示範例圖 (僅供參考) Installation (For reference) Pre-Fill valves (flange-clamped type)

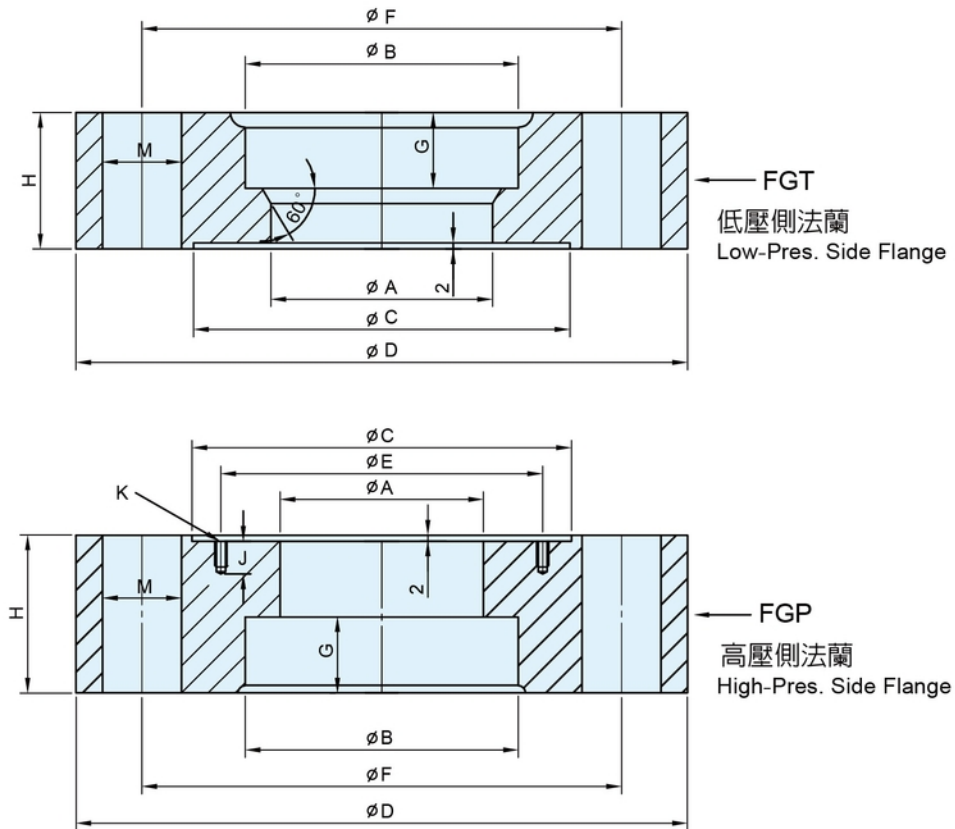


滿油閥 油路運用列 (僅供參考) Typical application circuit (For reference)



動作 Operation	SOL	a	b	c	PS	SVF/SCF/SPF/STF
下降快速 Rapid Descent		✓		✓		自吸 Suction
下降加壓 Pressurized Descent		✓		✓		關閉 Closed
出力保壓 Clamping					✓ 計時 Timing	關閉 Closed
上昇動作 Ascent			✓			導開回油 Piloted open

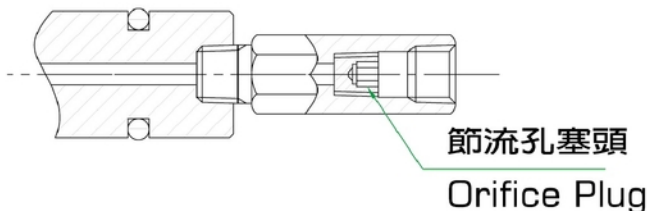
碟式滿油閥安裝法蘭參考尺寸 *Flange Dimensions (mm)*



125~250 法蘭參考尺寸

型式 Model	ØA	ØB	ØC	ØD	ØE	ØF	G	H	J	K	M
FGP-125-2-M24/8B FGT-125-2-M24/8B	168	219	249	350	226	300	35 25	70 60	15	2-M6	12-Ø26
FGP-125-4-M30/8B FGT-125-4-M30/8B	168	219	249	354	226	300	50 30	90 80	15	2-M6	12-Ø32
FGP-160-2-M30/10B FGT-160-2-M30/10B	218	270	312	422	284	367	40 30	90 80	15	2-M8	16-Ø32
FGP-200-2-M30/12B FGT-200-2-M30/12B	270	321	392	510	355	442	40 35	100 90	20	2-M10	20-Ø32
FGP-250-2-M30/16B FGT-250-2-M30/16B	350	409	495	632	445	555	55 40	110 100	25	2-M12	24-Ø32
FGP-250-4-M42/18B FGT-250-4-M42/18B	350	460	495	632	445	555	55 40	125 110	25	2-M12	22-Ø45

滿油閥導壓口接頭 / *Pre-Fill valves pilot port adapter*



型式 Model	節流孔 Orifice	塞孔 Plug
SVF/SCF/SPF/STF-32、40、50	0.7mm	PT1/8"
SVF/SCF/SPF/STF-63	0.8mm	
SVF/SCF/SPF/STF-80	1.0mm	
SVF/SCF/SPF/STF-100	1.2mm	
SVF/SCF/SPF/STF-125、160	1.5mm	PT1/4"

滿油閥 Pre-Fill valves 爆炸圖

