

# 減洩壓閥 Reducing/Relieving Valves.

- 閥系說明：導壓型，平衡活塞式。  
Description : Pilot operated, Balanced spool.
- 額定流量 Flow rating Q<sub>nom.</sub>: 60 L/min.
- 最高壓力 Max. pressure P<sub>max.</sub>: 315 bar.
- 插式閥重 Cartridge only weight : K - 0.29 kg.  
L - 0.25 kg.

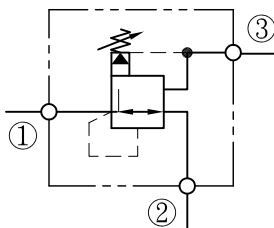
## 選購型號 Ordering Code

**C R R - T 0 2 - L 1 0 N**

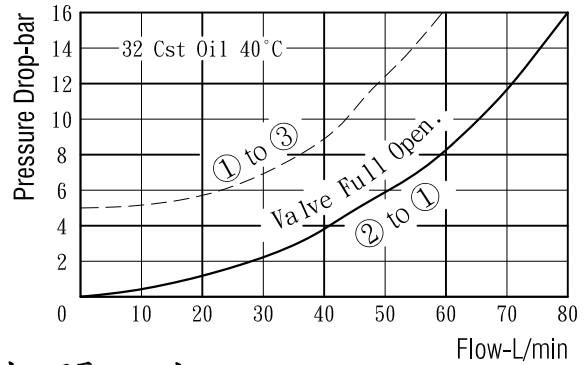
①                      ②                      ③    ④    ⑤

- ① 減洩壓閥  
Reducing/Relieving Valves.
- ② 閥孔型號  
Cavity Size.
- ③ 調整方式 Controls.  
L - 螺桿調整. Standard Screw Adjustment  
K - 旋鈕調整. Handknob & Locknob Adj.
- ④ 壓力調整範圍  
Adjustment Ranges.  
10 - 5 to 100 bar. (\*10bar)  
20 - 7 to 210 bar. (\*15bar)  
(\* )出廠設定壓力. Standard Setting.
- ⑤ 油封材質  
Seals : N - 丁腈橡膠. Buna N.  
V - 氟橡膠. Viton.

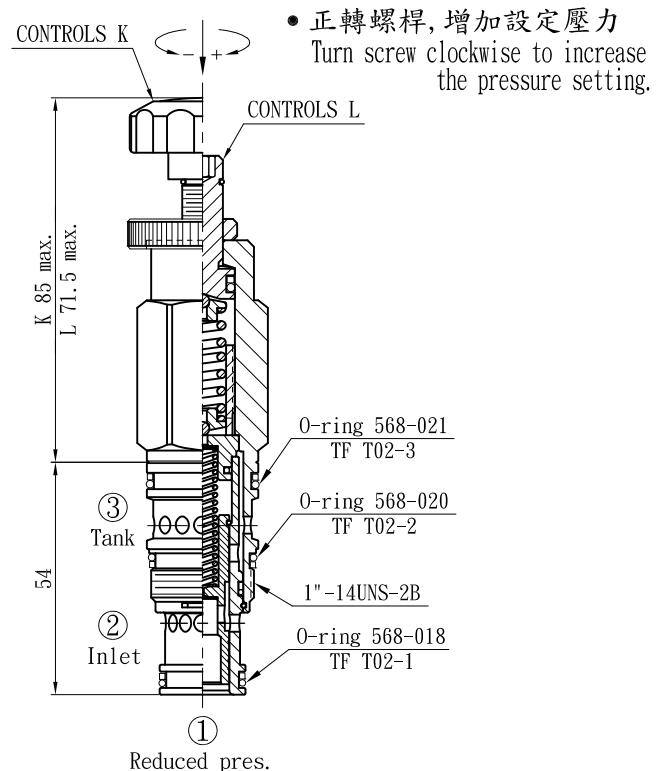
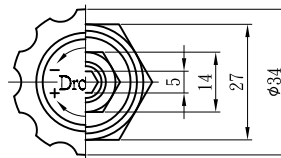
## 油壓符號 Symbol



## 壓損曲線 Flow-Pres. Drop Curve



## 插閥尺寸 Dimensions(mm)



閥孔型號 Valve Cavity : T02A  
成型刀具 Cavity Tools : CT02-D, CT02-R

※請參閱 See page CT. L